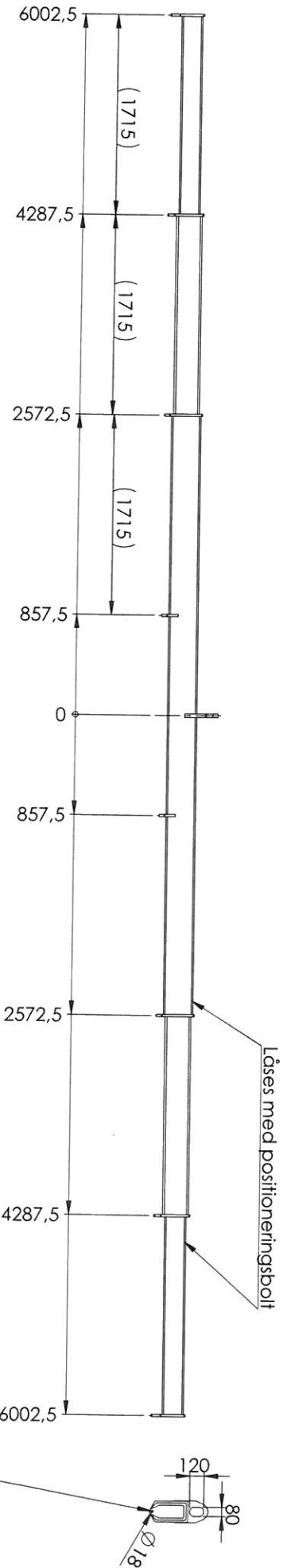
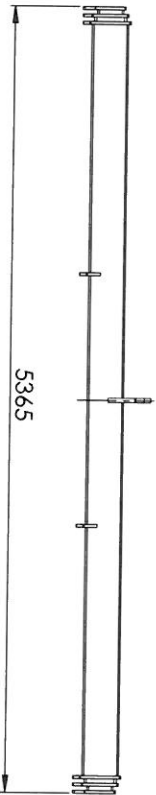


CONFIDENTIAL



For montering af Green Pin G-41 63 WLL 2T sjækkel



Belastning fordeles jævnt (ens) på alle 8 nedhæng.

Sales Order No.:	-	TARE	Kg	Dansk Dokumentation
Prod Order No.:	-	Test Loading	Ja	1.5 * WLL

Welded construction	From	To	Tolerance	Sag. No.	109335	NAME	DATE	FRMA	SCALE: 1:35	DO NOT SCALE DRAWING	FORMAT
0	30	120	±1	DEBUR AND BREAK SHARP EDGES	21-11-2013	99	21-11-2013				A3
120	315	1000	±1	BREAK SHARP EDGES	22-11-2013	99					
315	1000	4000	±2	ALL DIMENSIONS ARE IN MILLIMETERS							
1000	4000	+	±3	WELDING							
4000	+	+	±4	FINISH							
Machining		Tolerance		MATERIAL 1007							
From	To	Tolerance									
0	30	±0.1									
30	120	±0.15									
120	400	±0.2									
400	1000	±0.3									
1000	2000	±0.5									
2000	+	±1									

Løftegag
WLL 3T

SHEET NAME
Sheet1

DWG NO.
109335

SHEET 1 OF 1
REVISION
0

