



**SPARE PARTS LIST**  
**HTC 500**



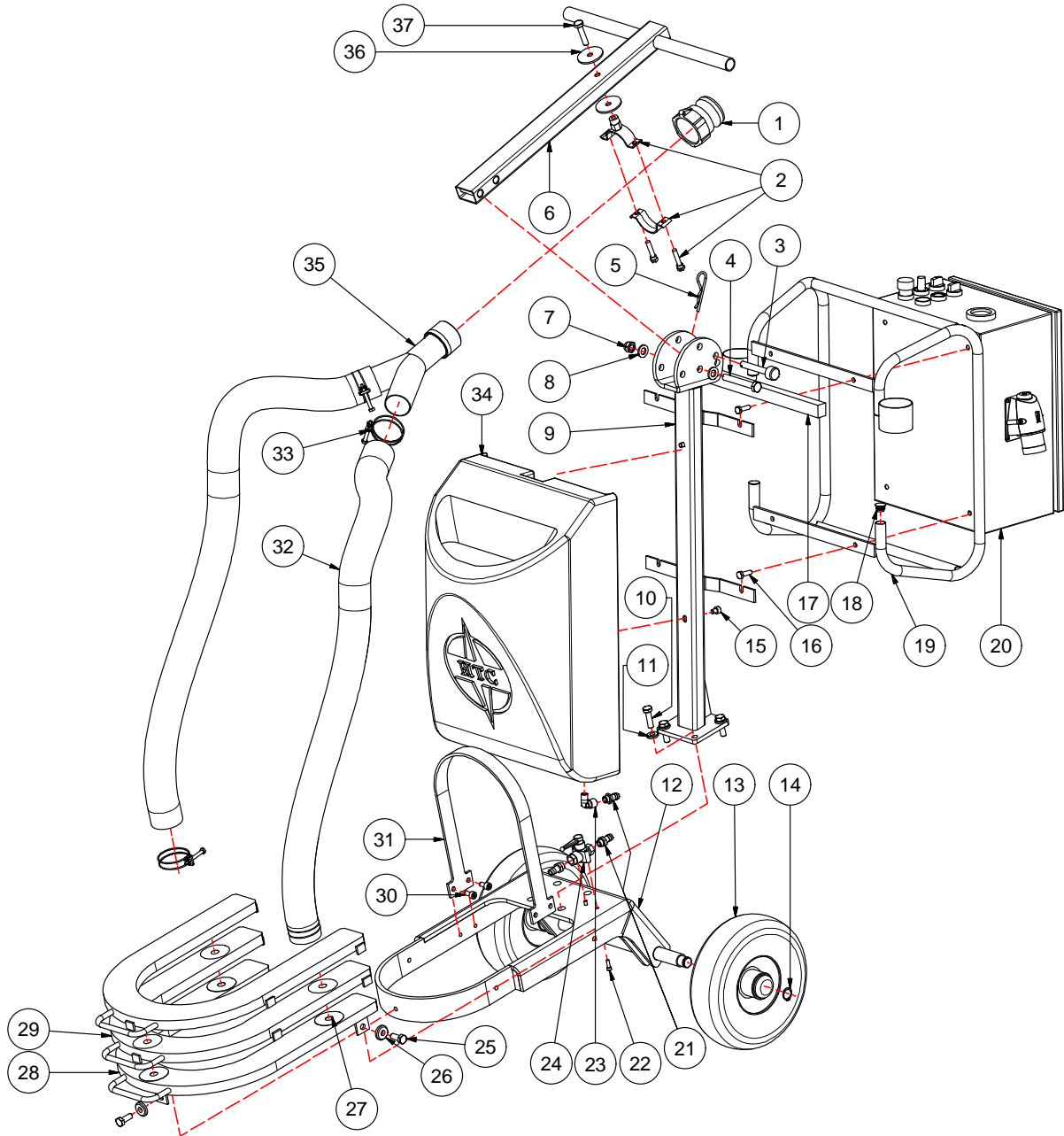


---

**Table of contents**

HTC 500 Chassis .....	2
HTC 500 Hose connection .....	4
HTC 500 Grinding head .....	5
HTC 500 Hinge bracket V2 (2010-08-10).....	9
HTC 500 Hinge bracket V3 (2012-04-26).....	10
HTC 500 Grinding holder polycord.....	11
HTC 500 Grinding holder cardan .....	13
HTC 500 Electrical 3x400v EU.....	15
HTC 500 Electrical 3x400 MS (Coming soon).....	17
HTC 500 Electrical 2x115v US.....	19
HTC 500 Electrical 1x230v EU (Coming soon) .....	21
HTC 500 Electrical 1x230v EU (Coming soon) .....	22
HTC 500 Electrical 3x230v NO .....	23
HTC 500 Electrical 3x230v JP (Coming soon) .....	25

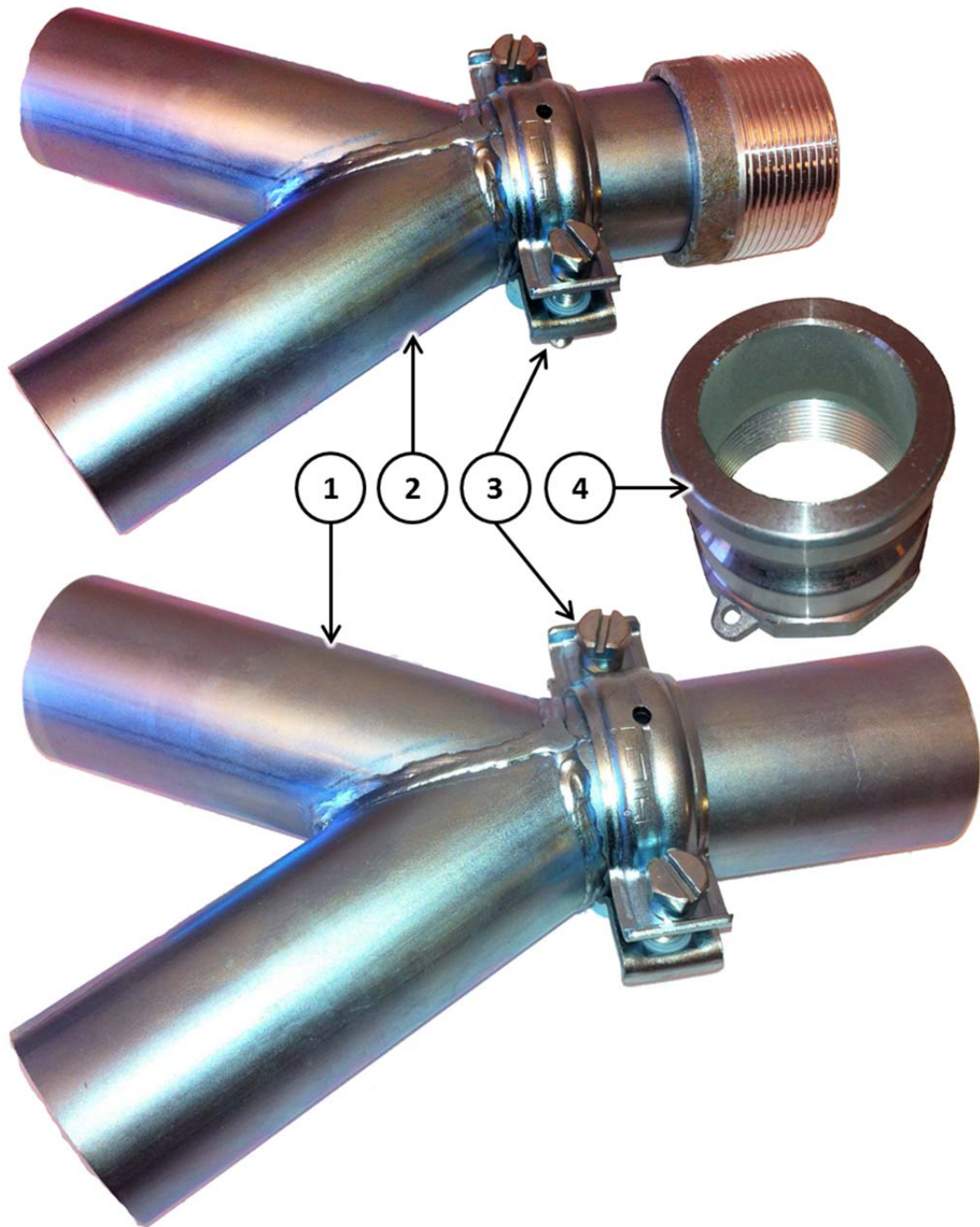
# HTC 500 Chassis



**HTC 500 Chassis**

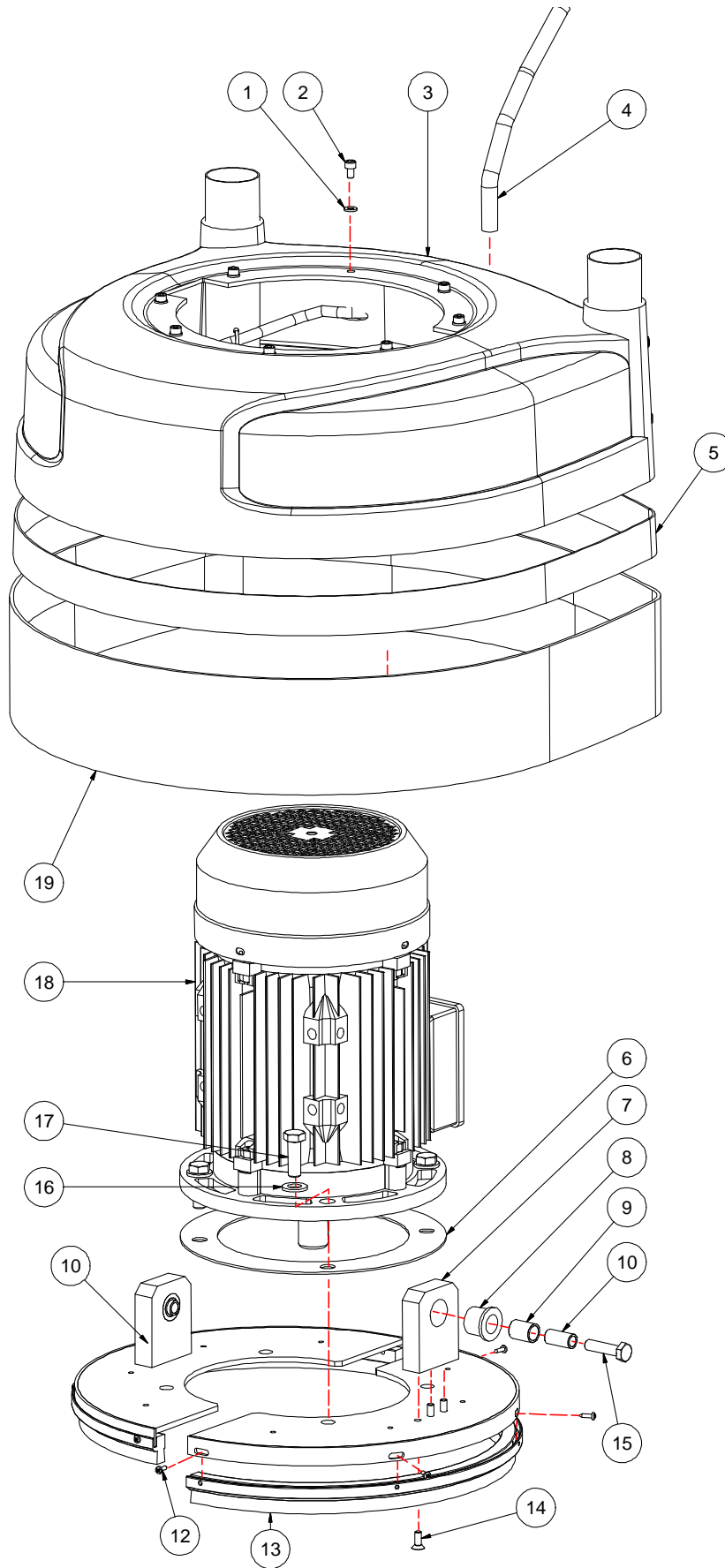
Item	Description	Part no	Qty
1	CAMLOCK 2" MALE INNER THREAD	113172	1
2	PIPE CLAMP	11009	1
3	PIN CHASSI	110001	1
4	SCREW M12X85	310002	1
5	LOCKING CLIP	310125	1
6	HANDLE	113047	1
	INSERT RECTANGULAR 50X30	110579	2
	ROUND CAP FOR HANDLE	110357	2
7	LOCK NUT M12	310004	1
8	WASHER M12	310057	2
9	CHASSIS POLE	113049	1
10	SCREW M10X35	310007	4
11	WASHER M10	310008	4
12	CHASSIS BOTTOM PART	113048	1
13	WHEEL BLACK	110381	2
	WHEEL GREY	113458	2
14	CIRCLIP SGA 20	310016	2
15	SCREW M8X10	310006	2
16	SCREW M8X25	310001	4
17	FOAM	110241	0.34m
18	PIPE PLUG	113008	4
19	PROTECTION CAGE	110385	1
20	POWER UNIT 4kW 3X400V MS	110261	1
	POWER UNIT 4kW 3X230V CE JP	110539	1
	POWER UNIT 5.5kW 2X115V US	113072	1
	POWER UNIT 3.7kW 3X230V CE NO	113077	1
	POWER UNIT 4kW 3X400V ONE WAY	113248	1
	POWER UNIT 2.2kW 1X230V CE	113362	1
21	TUBE CONNECTION	110205	3
22	SCREW M5X16	310211	2
23	ELBOW FITTING M/F THREAD 1/4"	110146	1
24	WATER VALVE 1/4"	110007	1
25	SCREW M10X25	310114	3
26	WASHER M10	310042	3
27	VELCRO CLOSING 59/15 FEMALE	210057	6
28	WEIGHT 9.5KG LOWER	113207	1
29	WEIGHT 9.5KG UPPER	112079	2
30	SCREW M8X16	310080	4
31	LIFT BRACKET	110813	1
32	HOSE 2"	113743	2x1.25m
33	HOSE CLAMP 2"	112924	4
34	WATER TANK	110610	1
35	FORK PIPE 50-50-2" THREAD	113645	1
36	WASHER	310434	2
37	SCREW M10X45	310268	1

**HTC 500 Hose connection**



No.	Description	Art. No.	Qty
1	FORK PIPE 50x50x50	10076	1
2	FORK PIPE 50x50x2" THREAD	113645	1
3	PIPE CLAMP	11009	1
4	CAMLOCK MALE 2" INSIDE THREAD	113172	1

### HTC 500 Grinding head

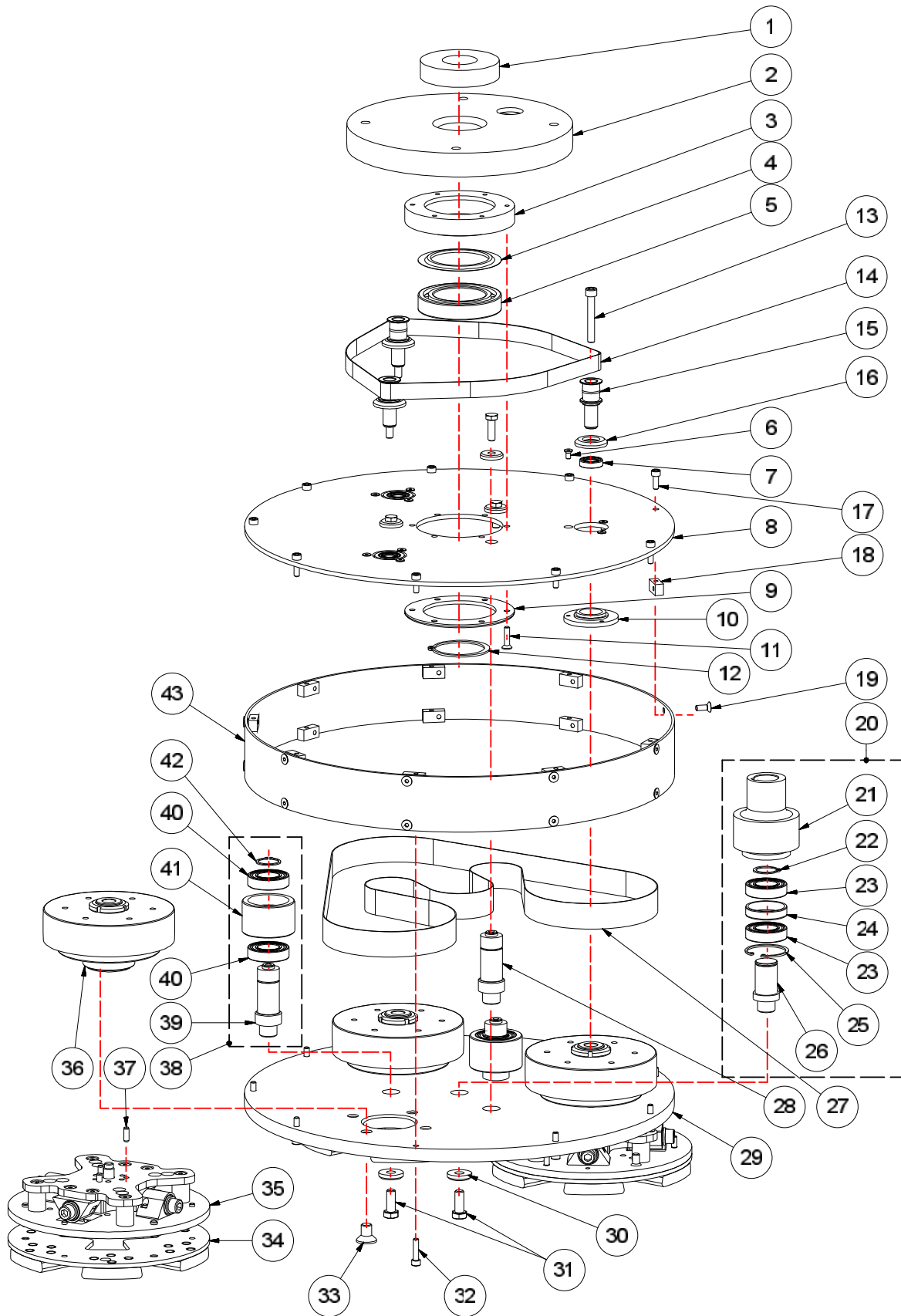


**HTC 500 Grinding head**

Item	Description	Part no	Qty
1	WASHER M6	310012	8
2	SCREW M6X10	310005	8
3	COVER COMPLETE	111194	1
4	HOSE 15/10MM	110130	0.5m
5	VELCRO CLOSING MALE	110264	2m
6	SHIMS	502131	1
7	HINGE BRACKET	110013	2
8	BUSHING	500616	2
9	SLEEVE OUTER	502154	2
10	SLEEVE INNER	502155	2
11	SAFETY COVER BELT V.2 COMPLETE	502503	2
12	SCREW 3.5X13	310307	8
13	BRUSH STRIP	112478	2x0.66m
14	SCREW M6X16	310292	6
15	SCREW M10x40	310408	2
16	WASHER M12	310057	4
17	SCREW M12X35	310413	4
18	MOTOR 4KW 3X400 EU	113083	1
	MOTOR 4KW 3X230 EU 2X115 US	113187	1
19	SPLASH GUARD	110972	1



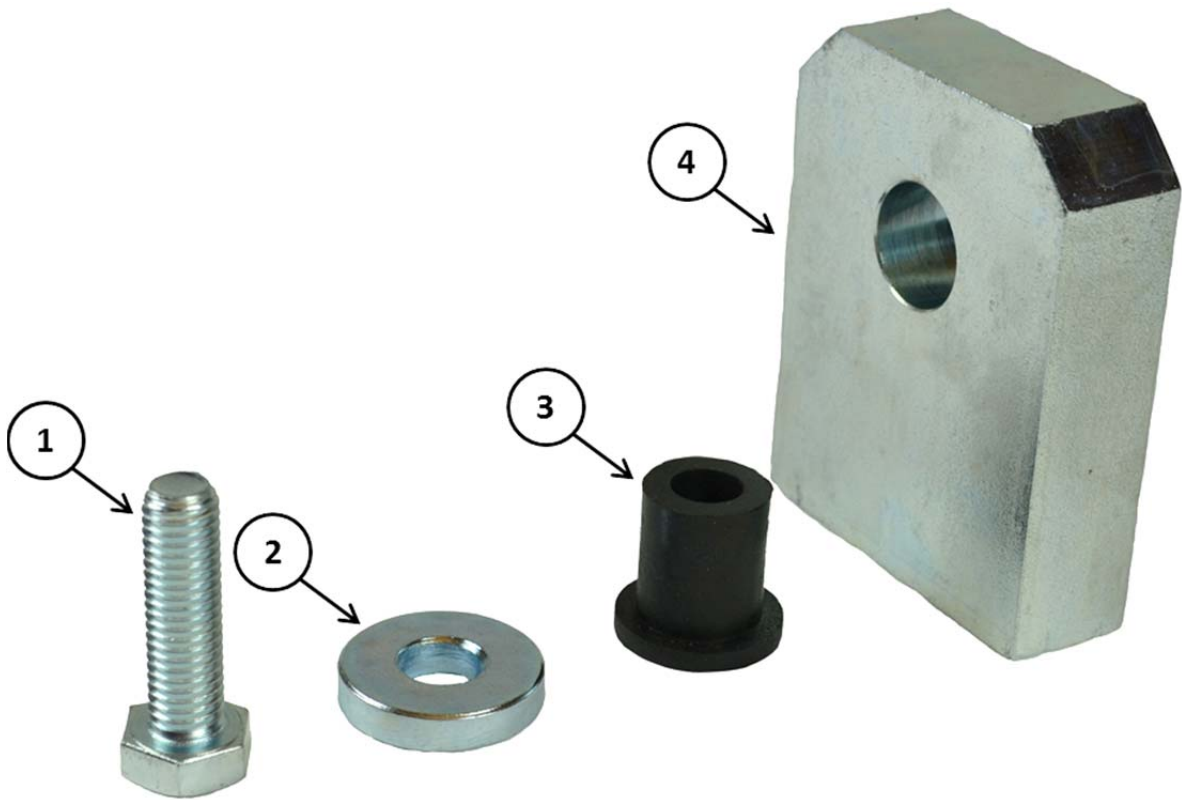
### HTC 500 Grinding head



## HTC 500 Grinding head

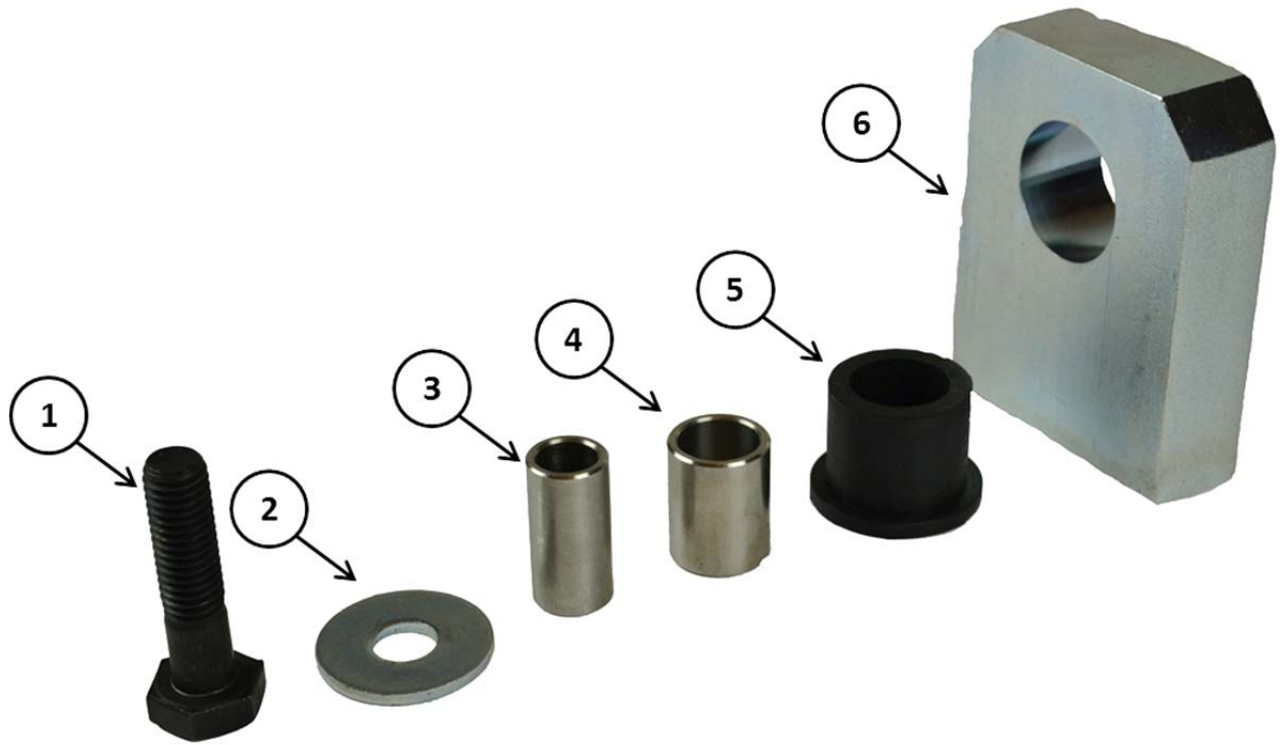
Item	Description	Part no	Qty
1	FOAM RING	110829	1
2	MOTOR PLATE	110812	1
3	HOUSING CENTRE	110673	1
4	NILOS RING	10472	1
5	BALL BEARING 6012	110026	1
6	SCREW M5X10	310265	9
7	SEALING 15X26X7	10874	3
8	UPPER LID	110811	1
9	COVER CENTER	110652	1
10	SEAL COVER	111259	3
11	SCREW M6X25	310275	6
12	CIRCLIP SGA 60	310018	1
13	SCREW M8X55	310237	3
14	UPPER BELT 19x870	111513	1
15	SHAFT TAP	110803	3
16	GAMMA RING	111260	3
17	SCREW M6X16	310082	9
18	FIXING BOSS	110023	18
19	SCREW M6X16	310292	18
20	CENTER PULLEY COMPLETE	111285	1
21	CENTER PULLEY	110814	1
22	CIRCLIP SGA 25	310021	1
23	BALL BEARING 6005	110019	2
24	DISTANCE CENTERPULLEY	111192	1
25	CIRCLIP SGH 47	310144	1
26	SHAFT CENTERPULLEY	111189	1
27	INNER BELT FLAT 30x1822	110021	1
28	SHAFT PRESSWHEEL	110800	1
29	LOWER COVER	110802	1
30	WASHER M10	310042	4
31	SCREW M10X25	310114	4
32	SCREW M6X25	310035	9
33	SCREW M12X20	310138	12
34	TOOLHOLDER EZ 230 / 6	112783	3
35	GRIND HOLDER CARDAN COMPL. 230	112252	3
36	HUB PACKAGE	111278	3
37	CYLINDER PIN	310280	9
38	TENSIONING WHEEL COMPLETE	111281	2
39	SHAFT PRESSWHEEL	110800	1
40	BALL BEARING 6005	110019	2
41	TENSIONING WHEEL	110815	1
42	CIRCLIP SGA 25	310021	1
43	BORDER HTC 500	110810	1

**HTC 500 Hinge bracket V2 (2010-08-10).**



No.	Description	Part no	Qty
1	SCREW M10x35	310007	1
2	WASHER M10	310042	1
3	BUSHING	Discontinued	1
4	HINGE BRACKET Ø18MM	Discontinued	1
If the hole is Ø14MM use only the screw and the washer.			

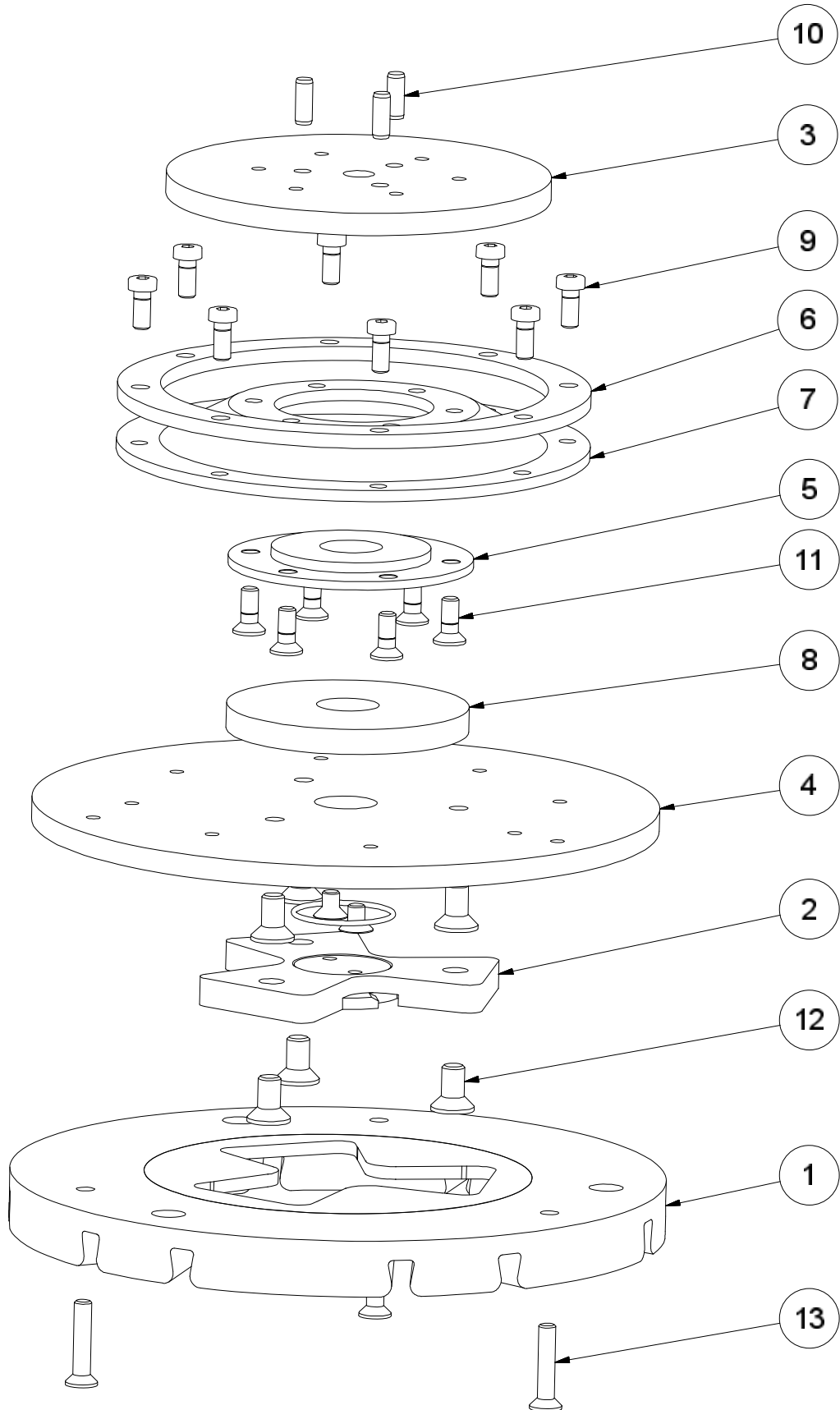
**HTC 500 Hinge bracket V3 (2012-04-26).**



**Hinge bracket kit 113714 - 2pcs/machine**

No.	Description	Part no	Qty
1	SCREW M10x40	310408	1
2	WASHER M10	310434	1
3	SLEEVE INNER	502155	1
4	SLEEVE OUTER	502154	1
5	BUSHING	502182	1
6	HINGE BRACKET Ø26MM	502181	1

### HTC 500 Grinding holder polycord

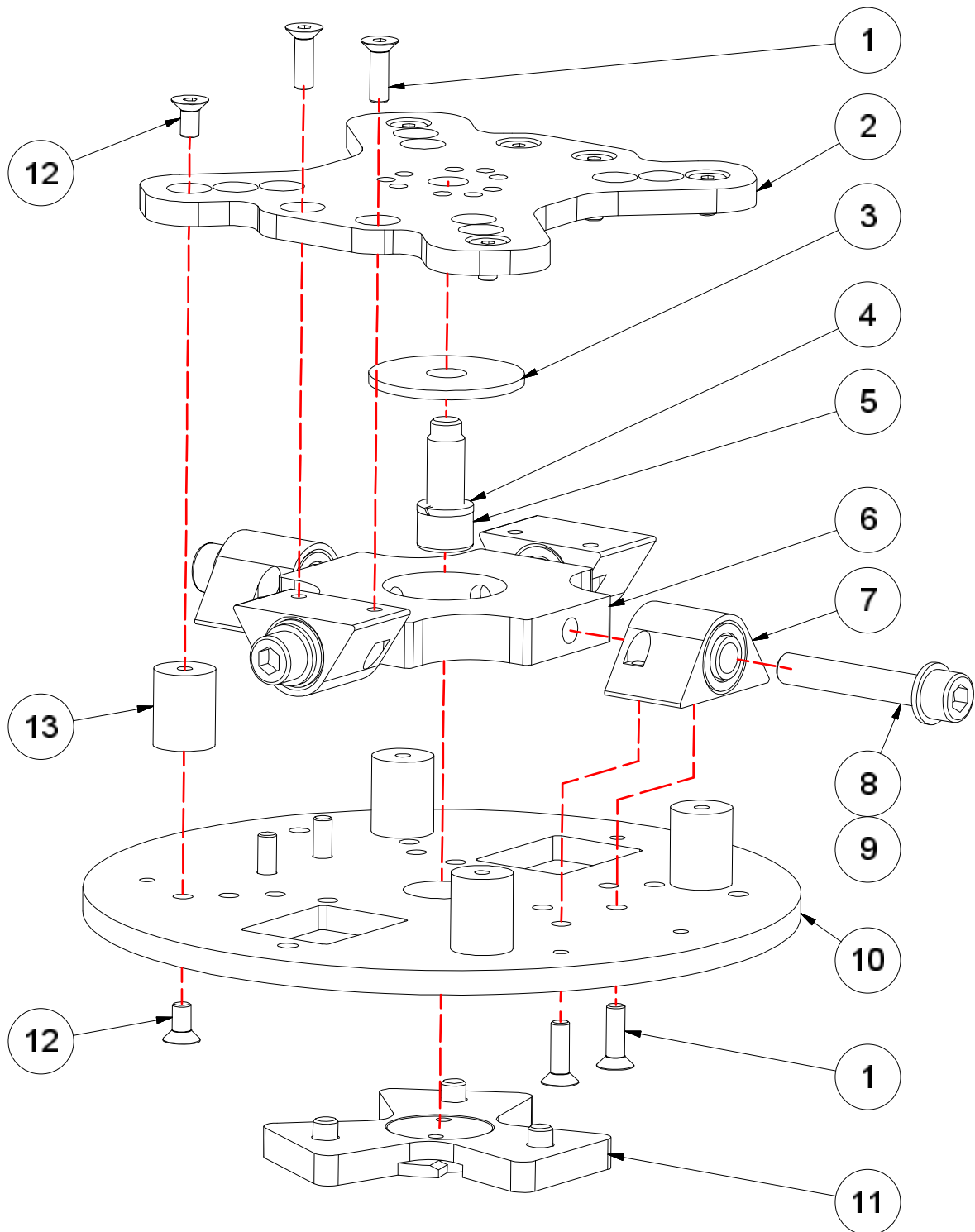


---

**HTC Grinding holder polycord**

Item	Description	Part no	Qty
1	TOOLHOLDER EZ 230 6	112783	1
2	CROSS COMPLETE	110127	1
3	GRIND HOLDER UPPER	110050	1
4	GRIND HOLDER LOWER	110053	1
5	POLYCORD HOLDER INNER	110386	1
6	POLYCORD HOLDER OUTER	110051	1
7	POLYCORD ROUND GREEN 168MM	110370	2
8	SPRING	111184	1
9	SCREW M6X14	310297	8
10	CYLINDER PIN	310046	3
11	SCREW M6X16	310292	6
12	SCREW M6X16	310292	3
13	SCREW M6X20	310027	3

### HTC 500 Grinding holder cardan

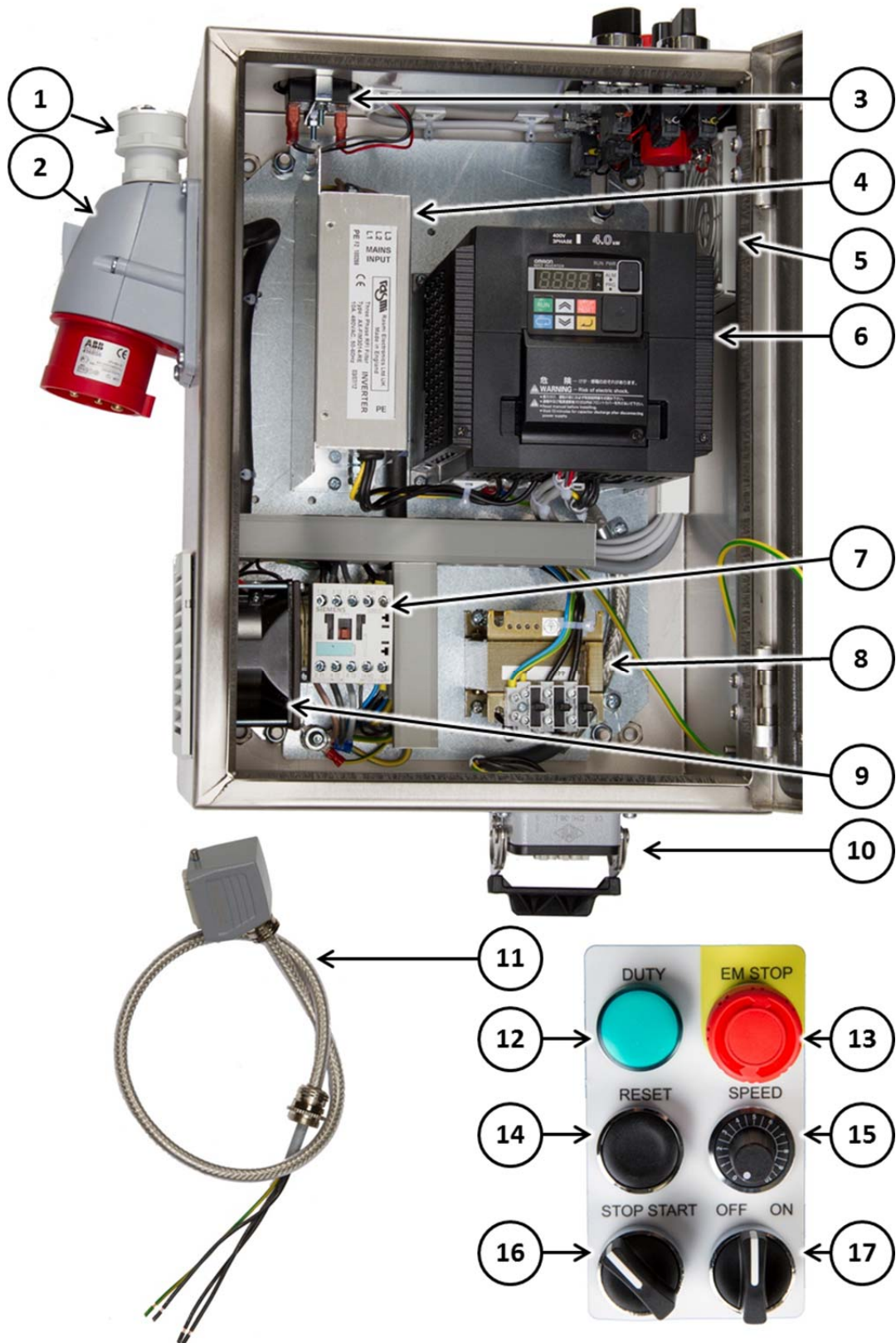


**HTC 500 grinding holder cardan**

Item	Description	Part no	Qty
1	SCREW M6X20	310212	8
2	UPPER GRIND HOLDER PLATE	112239	1
3	WASHER	112243	1
4	WASHER M10	310379	1
5	SCREW MC6S M10X30 8.8 FZB	310190	1
6	CARDAN CONNECTION	112241	1
7	EAR WIDE COMPLETE	502211	4
8	SCREW MC6S M10X60 12,9	310019	4
9	WASHER M10	310048	4
10	GRIND HOLDER PLATE	112240	1
11	CROSS COMPLETE	110967	1
12	SCREW M6X12	310312	8
13	SHOCK ABSORBER 20x25 M6	112247	4



### HTC 500 Electrical 3x400v EU



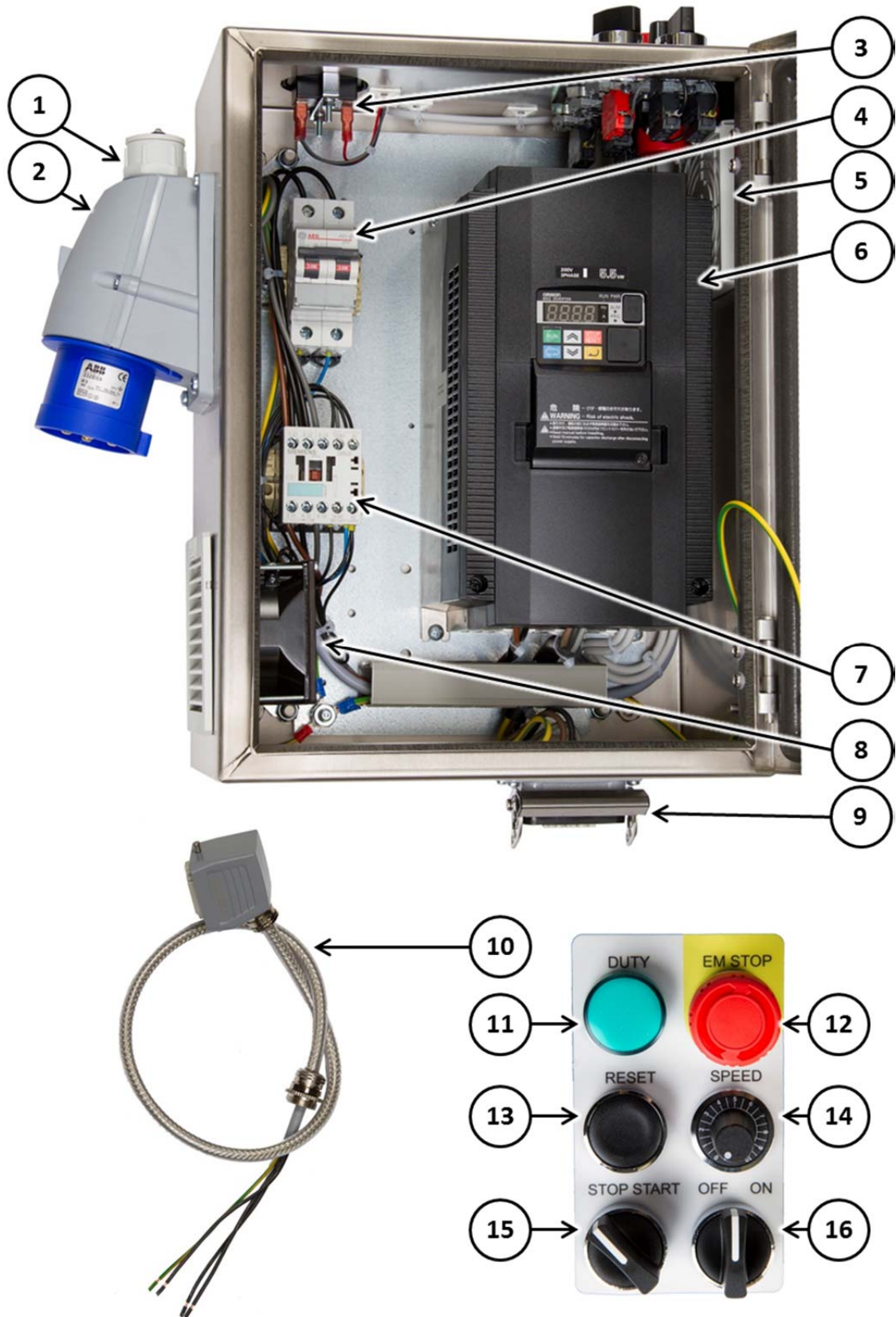
**HTC 500Electrical 3x400 EU**

Item	Description	Part no	Qty
1	PHASE INDICATOR	10750	1
2	POWER INLET	110331	1
3	HOUR METER	110309	1
4	EMC-FILTER	113148	1
5	FILTER HOLDER	560167	1
6	INVERTER	113147	1
7	CONTACTOR	110245	1
8	TRANSFORMER	10961	1
	FUSE	113524	3
9	FILTER FAN	113626	1
	FILTER HOLDER	560167	1
10	MOTOR CABLE INLET	560218	1
11	MOTOR CABLE	110734	1
12	LENS HEAD (GREEN)	110491	1
	MOUNTING BASE	10983	1
	LIGHT BLOCK	10986	1
13	EMERGENCY STOP PRESS BUTTON	110479	1
	MOUNTING BASE	10983	1
	CONTACT BLOCK (NC)	110493	1
14	PRESS BUTTON (RESET)	110490	1
	MOUNTING BASE	10983	1
	CONTACT BLOCK (NO)	110492	1
15	POTENTIOMETER KNOB	111290	1
	POTENTIOMETER	110456	1
16	KNOB 2-POS (STOP/START)	111574	1
	MOUNTING BASE	10983	1
	CONTACT BLOCK (NO)	113343	1
17	KNOB 3-POS (OFF/ON)	110449	1
	MOUNTING BASE	10983	1
	CONTACT BLOCK (NO)	110492	1
	CONTACT BLOCK (NC)	110493	1

**HTC 500 Electrical 3x400 MS (Coming soon)**

**HTC 500 Electrical 3x400 MS (Coming soon)**

### HTC 500 Electrical 2x115v US



**HTC 500Electrical 2x115v US**

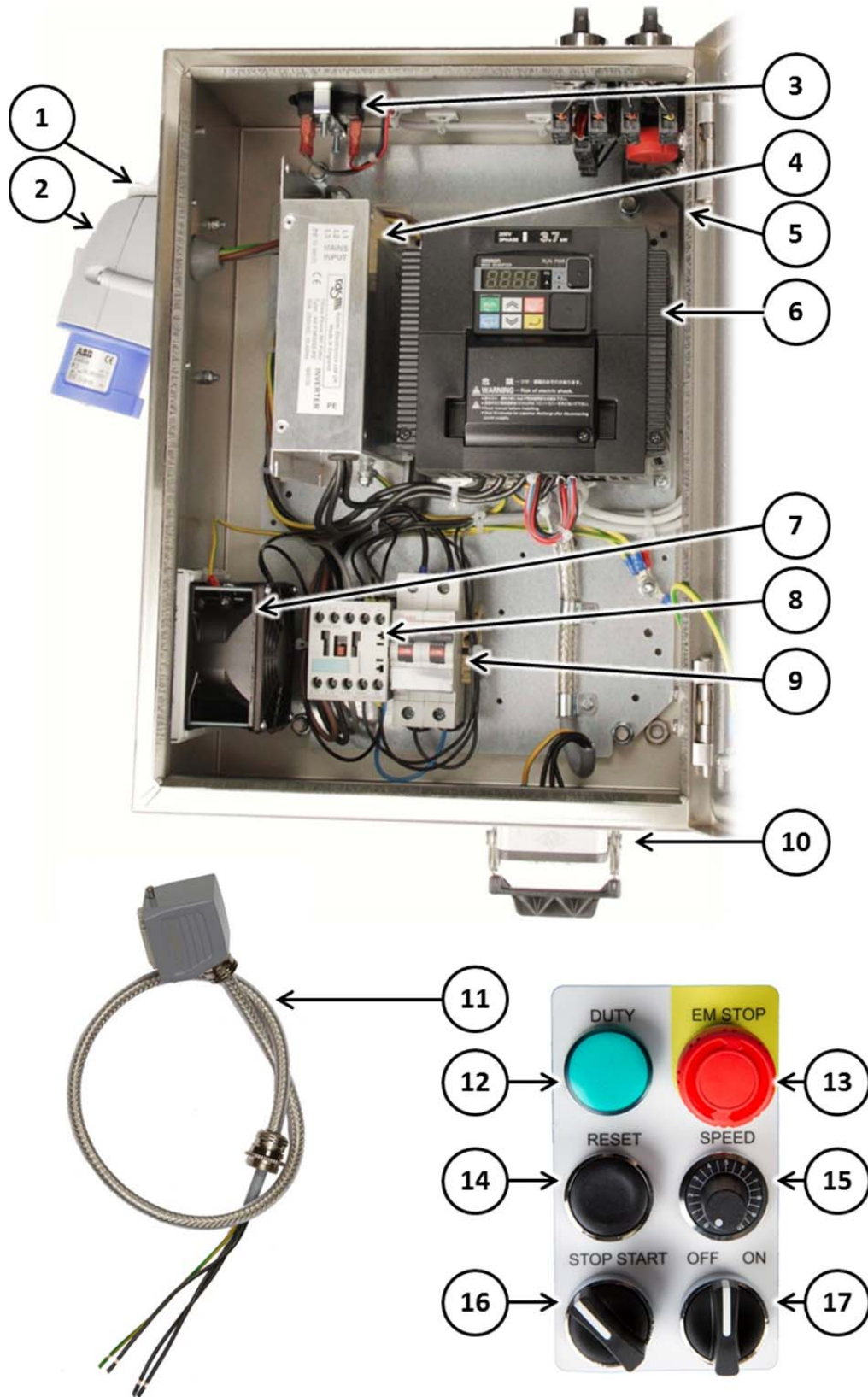
Item	Description	Part no	Qty
1	PHASE INDICATOR	10451	1
2	POWER INLET	10006	1
3	HOUR METER	110309	1
4	FUSE 2POL 2A	560163	1
5	FILTER HOLDER	560167	1
6	INVERTER	560199	1
7	CONTACTOR	110501	1
8	FILTER FAN	113626	1
	FILTER HOLDER	560167	1
9	MOTOR CABLE INLET	560223	1
10	MOTOR CABLE	110734	1
11	CAP FOR DUTY LAMP	110491	1
	MOUNTING BASE	10983	1
	LIGHT BLOCK	10986	1
12	EMERGENCY STOP PRESS BUTTON	110479	1
	MOUNTING BASE	10983	1
	CONTACT BLOCK (NC)	110493	1
13	PRESS BUTTON (RESET)	110490	1
	MOUNTING BASE	10983	1
	CONTACT BLOCK (NO)	110492	1
14	POTENTIOMETER KNOB	111290	1
	POTENTIOMETER	110456	1
15	KNOB 2-POS (STOP/START)	111574	1
	MOUNTING BASE	10983	1
	CONTACT BLOCK (NO)	113343	1
16	KNOB 3-POS (ON/OFF)	110449	1
	MOUNTING BASE	10983	1
	CONTACT BLOCK (NO)	110492	1
	CONTACT BLOCK (NC)	110493	1

**HTC 500 Electrical 1x230v EU (Coming soon)**

**HTC 500 Electrical 1x230v EU (Coming soon)**



**HTC 500 Electrical 3x230v NO**



**HTC 500 Electrical 3x230v NO**

Item	Description	Part no	Qty
1	PHASE INDICATOR	110538	1
2	POWER INLET	10449	1
3	HOUR METER	110309	1
4	EMC FILTER	560200	1
5	FILTER HOLDER	560167	1
6	INVERTER	113549	1
7	FILTER FAN	113626	1
	FILTER HOLDER	560167	1
8	CONTACTOR	110501	1
9	FUSE 2POL 2A	560163	1
10	MOTOR CABLE INLET	560212	1
11	MOTOR CABLE	110734	1
12	CAP FOR DUTY LAMP	110491	1
	MOUNTING BASE	10983	1
	LIGHT BLOCK	10986	1
13	EMERGENCY STOP PRESS BUTTON	110479	1
	MOUNTING BASE	10983	1
	CONTACT BLOCK (NO)	110492	1
14	PRESS BUTTON (RESET)	110490	1
	MOUNTING BASE	10983	1
	CONTACT BLOCK (NO)	110492	1
15	POTENTIOMETER KNOB	111290	1
	POTENTIOMETER	110456	1
16	KNOB 2-POS (STOP/START)	111574	1
	MOUNTING BASE	10983	1
	CONTACT BLOCK (NO)	113343	1
17	KNOB 3-POS (ON/OFF)	110449	1
	MOUNTING BASE	10983	1
	CONTACT BLOCK (NO)	110492	1
	CONTACT BLOCK (NC)	110493	1

**HTC 500 Electrical 3x230v JP (Coming soon)**

**HTC 500 Electrical 3x230v JP (Coming soon)**