

HEP3 | ELECTRIC DRIVEN PUMPS - GENERAL DUTY HIGH FLOW

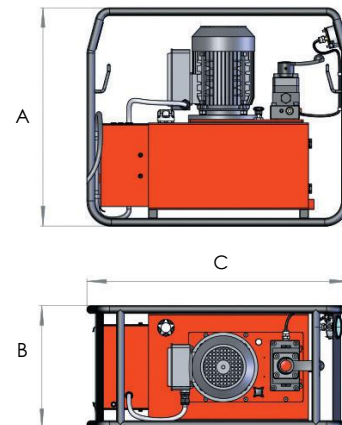


Working pressure 700 bar

Two stage operation

25 litre oil reservoir

- ▶ Choice of 110/115, 220/240 or 380/440 volt electric motors available as standard
- ▶ Choice of 2, 3 or 4-way manual control valves with load holding feature on 3 & 4-way versions
- ▶ Externally adjustable pressure relief for pressure settings up to 700 bar
- ▶ Completely enclosed fan cooled low noise electric motors
- ▶ Cable management features for cable/ hose winding and stowage
- ▶ Supplied as standard with pressure gauge and a robust roll frame



Model number	Valve type	Oil capacity (litres)	Maximum flow rate (l/min)		Motor voltage	Model number (60 Hz motor)	Weight (kg)	Dimensions (mm)		
			1 st stage	2 nd stage				A	B	C
HEP310121	P-T Plate	25	9	1	110/115V-1Ph	HEP310121H	68.0	627	352	754
HEP310122	P-T Plate	25	9	1	220/240V-1Ph	HEP310122H	68.0	627	352	754
HEP310124	P-T Plate	25	9	1	380/440V-3Ph	-	68.0	627	352	754
HEP310221	2-way	25	9	1	110/115V-1Ph	HEP310221H	68.5	627	352	754
HEP310222	2-way	25	9	1	220/240V-1Ph	HEP310222H	68.5	627	352	754
HEP310224	2-way	25	9	1	380/440V-3Ph	-	68.5	627	352	754
HEP310321	3-way	25	9	1	110/115V-1Ph	HEP310321H	68.5	627	352	754
HEP310322	3-way	25	9	1	220/240V-1Ph	HEP310322H	68.5	627	352	754
HEP310324	3-way	25	9	1	380/440V-3Ph	-	68.5	627	352	754
HEP310421	4-way	25	9	1	110/115V-1Ph	HEP310421H	68.5	627	352	754
HEP310422	4-way	25	9	1	220/240V-1Ph	HEP310422H	68.5	627	352	754
HEP310424	4-way	25	9	1	380/440V-3Ph	-	68.5	627	352	754

- Note:**
- 1) All 380/440V models are suitable for operation at 50 Hz and 60 Hz
 - 2) All 110/115 and 220/240 volt models are supplied to run at 50 Hz as standard, refer to the table for pumps with 60 Hz motor. 60 Hz models deliver approximately 15-20% higher flow rate.
 - 3) To order pumps with low voltage solenoid valve with hand pendant controller, suffix the pump model with 'S'
 - 4) Other configurations are available on request