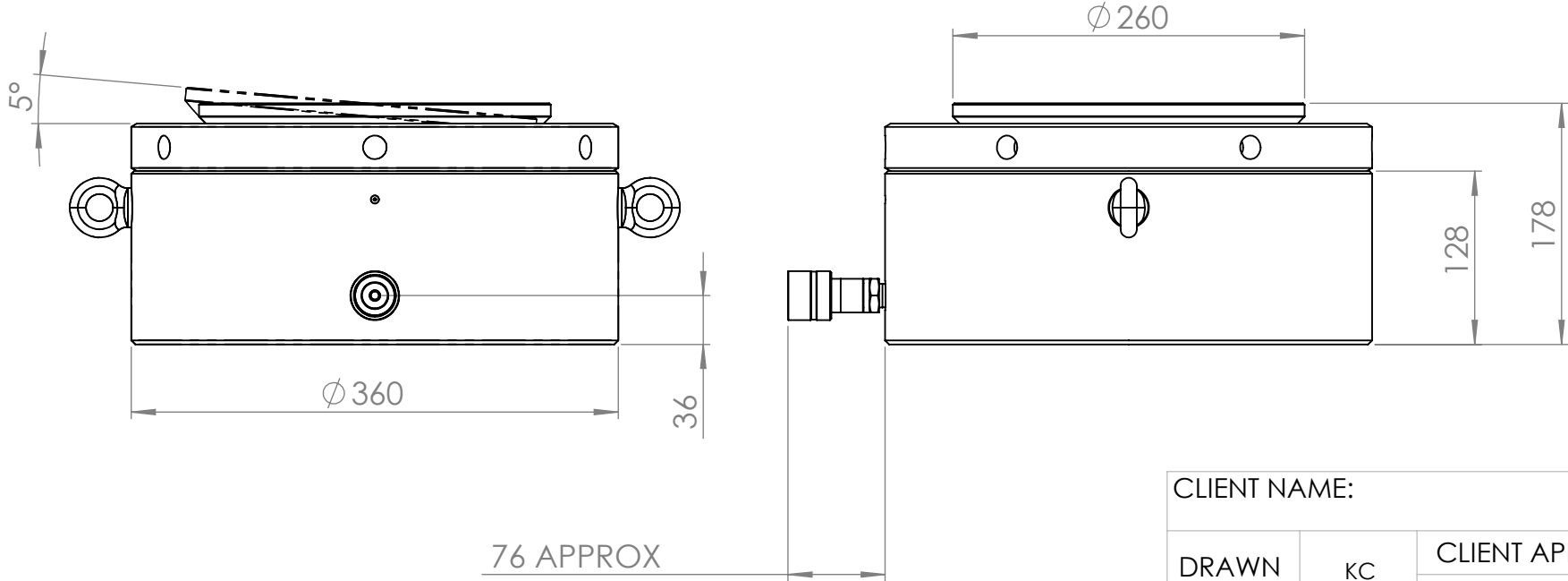
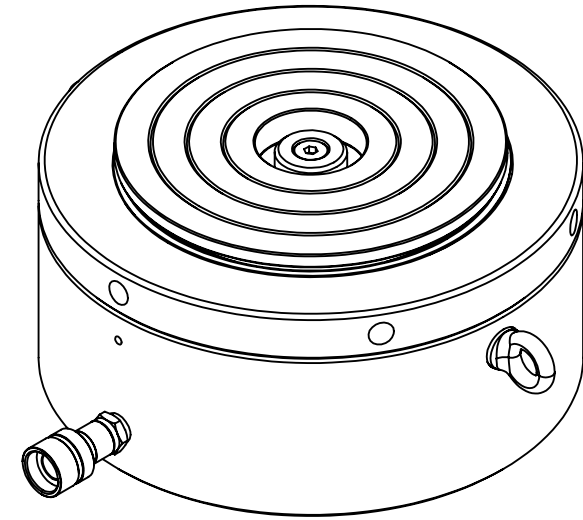


MAXIMUM CAPACITY: 398 TONNE
 MAXIMUM WORKING PRESSURE: 700 BAR
 MAXIMUM STROKE: 45 mm
 DESIGN EFFECTIVE AREA: 559 cm²

APPROX WEIGHT: 121 kg

REVISION

1	17/09/2020
2	
3	
4	
5	
6	
7	
8	
9	
10	



CLIENT NAME:			
DRAWN	KC	CLIENT APPROVAL SIGNATURE	
DATE	21/09/2020		
APPD	M.H.	DATE	