

**HFL | SINGLE ACTING LOW HEIGHT FAILSAFE LOCK RING CYLINDERS**

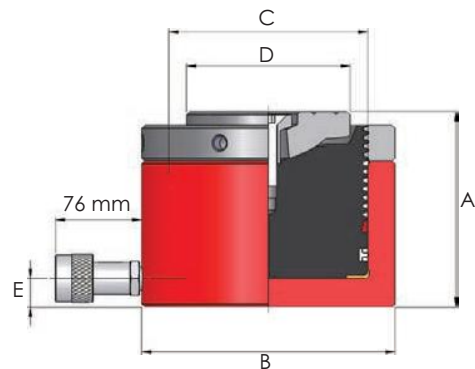


- ▶ Single acting, load return
- ▶ Mechanical lock ring feature allows for load holding for extended periods
- ▶ Compact, low height design suitable for vertical lifting applications only
- ▶ Threaded piston with tilting saddle fitted as standard to reduce the risk of side loading
- ▶ Nitrocarburised cylinder body and piston rod for increased corrosion protection
- ▶ Low friction bearing surfaces
- ▶ Anti-extrusion seals for improved performance at high pressures
- ▶ Overstroke restrictor port to prevent over extension of piston
- ▶ Tommy bars for easy rotation of the load holding lock ring are listed in the below table
- ▶ Saddle and piston rod details are listed on pages 24 and 25

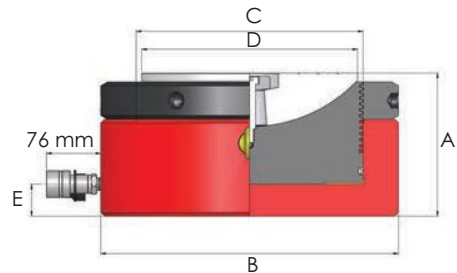
**Capacities from 50 to 520 tonnes**

**Stroke lengths from 45 to 51 mm**

**Working pressure 700 bar**



HFL502, HFL1002, HFL1502



HFL2502, HFL4002, HFL5002

Model number	Capacity (tonnes)	Stroke (mm)	Oil capacity (litres)	Cylinder eff. area (cm <sup>2</sup> )	Weight (kg)	Tommy bar	Dimensions (mm)				
							A	B	C	D	E
HFL502	50	51	0.36	71.3	14.2	TTB10	125	127	95	70	19
HFL1002	109	50	0.77	153.4	27.9	TTB10	137	185	140	115	20
HFL1502	152	45	1.07	214.3	44.0	TTB10	150	216	165	135	28
HFL2502	260	45	1.65	366.1	69.4	TTB14	159	273	216	200	31
HFL4002	398	45	2.51	559.0	121.0	TTB16	178	360	267	260	36
HFL5002	520	45	3.29	729.9	186.0	TTB20	192	400	305	290	43