

Data

Safety post 1102 m 1132 Quiclox

1102 Registered design

1132 Pat. S.

System COMBISAFE Standard

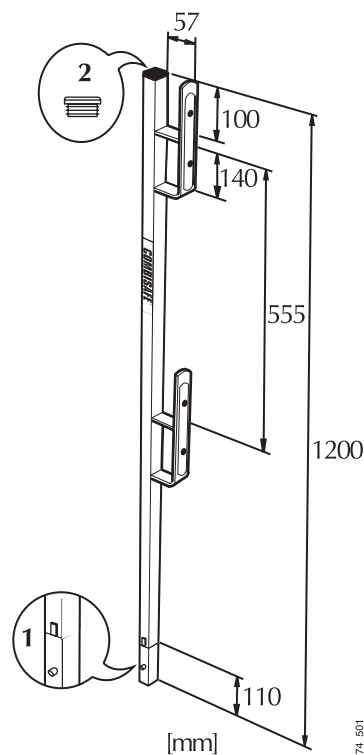
Weight 3.5 kg

Surface finish . Hot-dip galvanized, powder coated

Conforms to EN 13374 class A, B, C

Spare parts list

Item	Item no.	Information
1	1132	Quiclox
2	100000	PVC



Post 2000 m 1132 Quiclox

1132 Pat. S.

System COMBISAFE Standard

Weight 3.6 kg

Surface finish . Hot-dip galvanized, powder coated

Conforms to EN 13374 class A, B, C

Spare parts list

Item	Part No.	Information
1	1132	Quiclox
2	100000	PVC

