

# Aliva®-246

## Concrete Spraying Machine

**Description** The Aliva-246 is a sturdy concrete spraying machine for the dry spraying process.

**Uses** Thanks to its variable output, the Aliva-246 can be used as well for small jobs, such as joint filling, as well for extensive slope consolidation work.

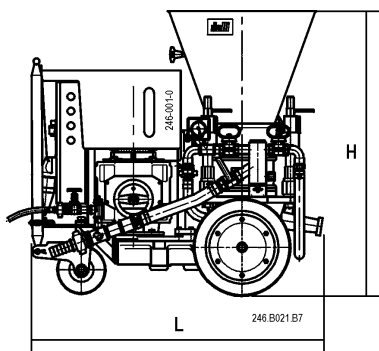
The Aliva-246.5 is available in the following versions:

- **BASIC**  
Electric drive, combined with BASIC-Dosing unit (not synchronized)
- **EXTENDED**  
Electric drive, combined with EXTENDED-Dosing unit (not synchronized)
- **AIR**  
With air drive, combined with BASIC-Dosing unit (not synchronized)

### Technical data

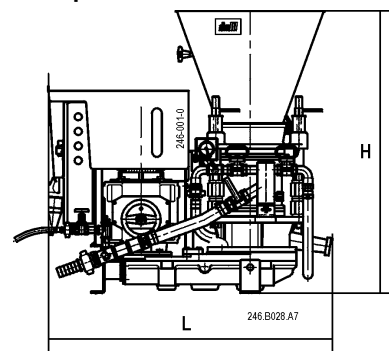
#### Dimensions

#### With chassis



Length L		
BASIC / AIR	1130 mm	
EXTENDED	1200 mm	
Width	700 mm	
Height H		
with rotor 0,7 + 2,0 L	1110 mm	
with rotor 3,6 L	1180 mm	
with rotor 5,6 L	1260 mm	
Weight		
BASIC / AIR	approx. 320 kg	
EXTENDED	approx. 450 kg	
Content of hopper	45 liters	

#### With pedestal



Length L		
BASIC / AIR	1130 mm	
EXTENDED	1170 mm	
Width	700 mm	
Height H		
with rotor 0,7 + 2,0 L	1020 mm	
with rotor 3,6 L	1090 mm	
with rotor 5,6 L	1170 mm	
Weight		
BASIC / AIR	approx. 315 kg	
EXTENDED	approx. 430 kg	
Content of hopper	45 liters	



Drive	Electric (BASIC / EXTENDED)	With air motor (AIR)
	Motor output 2,2 kW	Motor output 3 kW
	Speed range BASIC 1500 rpm	Speed range 700-1800 rpm
	EXTENDED 700-1800 rpm	Pressure 3,5 bar
	Voltages 400 V 50/60 Hz	Air consumption 4 Nm <sup>3</sup> /min.
	440 V 60 Hz	
	220 V 50/60 Hz	
	Protection IP 55	

Theoretical conveying	Conveying (only dry)				
Rotor L	Hose Ø mm	Conveying output *m <sup>3</sup> /h		max. grain mm	max. conveying distance (m) horizontal / vertical
		BASIC	EXTENDED+AIR		
0,7	32	0,4	0,2-0,5	6	150/60 m**
2,0	32 + 38	1,1	0,6-1,4	12	
3,6	32 + 38	2,0	1,1-2,5	12	
5,6	50	3,2	1,7-4,0	16	

\* with theoretical filling degree of 100%, if motor with 60 Hz = 20% higher conveying capacity.

\*\* more than 80 m conveying distance, use steel tubes.

Theoretical air consumption	Hose Ø mm	Air consumption Nm <sup>3</sup> /min. ***	
		Dry spraying	
		60 m	120 m
	32	3	4
	38	5	6
	50	8	10

\*\*\* Air consumption data are approximate values and are depending on conveying output, conveying distance and hose diameter.

Caution:  
For the configuration AIR (with air motor) it has to be considered:  
Total air consumption = Air consumption for conveying + Air consumption for air motor!  
1 Nm<sup>3</sup>/min = 35 cfm

## Safety instructions

**Important safety regulations** For detailed informations please consult the latest edition of the machine operating manual.

## Legal references

Information given, in particular suggestions made for use and application of our products are based on our current knowledge and experience in the normal case at the time of printing. In practice, the difference in materials, substrates and environmental conditions can cause deviation from this information.

Sika guarantees for its products the compliance of technical characteristics according to the Technical Data Sheets up to expiry of shelf life. Users of the products must always consult the latest edition of Technical Data Sheet under «[www.sika.ch/stm](http://www.sika.ch/stm)». Our current General Conditions are applicable.



**Aliva-246 EXTENDED**



Sika Schweiz AG  
Tunneling & Mining  
Tüffenwies 16, P.O Box  
CH-8048 Zürich

Phone +41 56 649 31 11  
Ordering  
Chemistry 0800 85 40 40  
Machines 0800 85 40 41